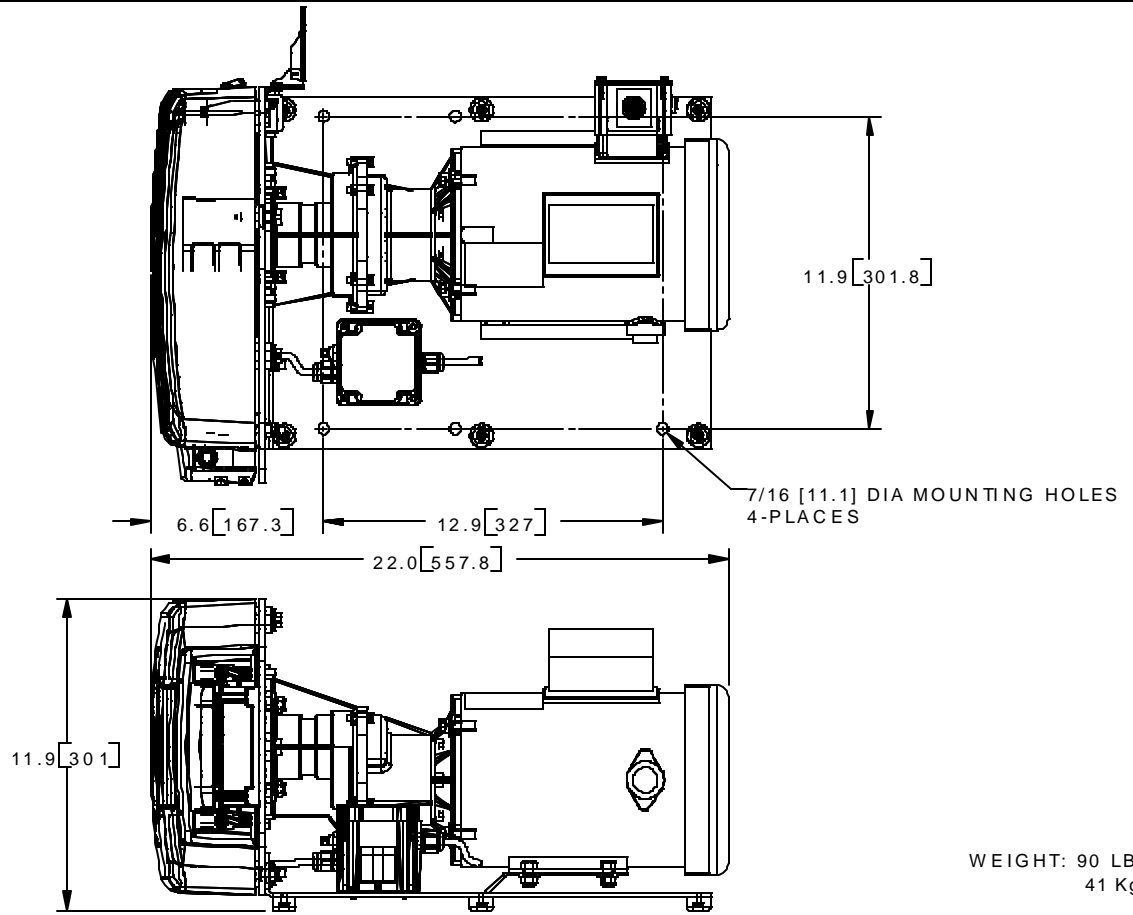
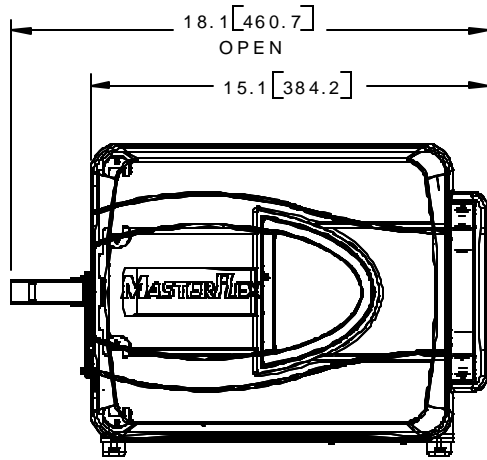


V.A.R. MODEL NUMBERS
 940-1625
 940-1815



WEIGHT: 90 LBS
 41 Kg

THESE COMMODITIES, TECHNOLOGY OR SOFTWARE IF EXPORTED FROM THE UNITED STATES WILL BE DONE SO IN ACCORDANCE WITH EXPORT ADMINISTRATION REGULATIONS DIVER SION CONTRARY TO U.S. LAW PROHIBITED.

THE INFORMATION CONTAINED IN THIS DRAWING IS THE SOLE PROPERTY OF THE BARNANT COMPANY. ANY REPRODUCTION IN PART OR WHOLE WITHOUT THE WRITTEN PERMISSION OF THE BARNANT COMPANY IS PROHIBITED.

DATE DRAWN: 07/11/06	<p>Barnant Barnant Company, 28 W 92 Commercial Avenue Barrington, Illinois 60010-2392 (847)-381-7050</p>
DRAWN BY: KDM	
CHECKED BY: SLB	MATERIAL: NA
APPROVED BY: SLB	CERTIFICATION OF CONFORMITY/ COMPLIANCE REQUIRED <input type="checkbox"/> MATERIAL <input type="checkbox"/> FINISH <input type="checkbox"/> SOURCE CONTROLLED

A	RELEASE FOR PRODUCTION.	PRM 2250D	07/20/06		
REV	DESCRIPTION	ECN/ PRM	DATE	PART No.	PROCESS/FINISH/ MODEL No.

SCALE: 1:4	PART NAME: OUTLINE DRAWING 940-1625 & -1815
DONOT SCALED DRAWING	B SHEET <u>1</u> of <u>1</u> DRAWING NUMBER: 108464